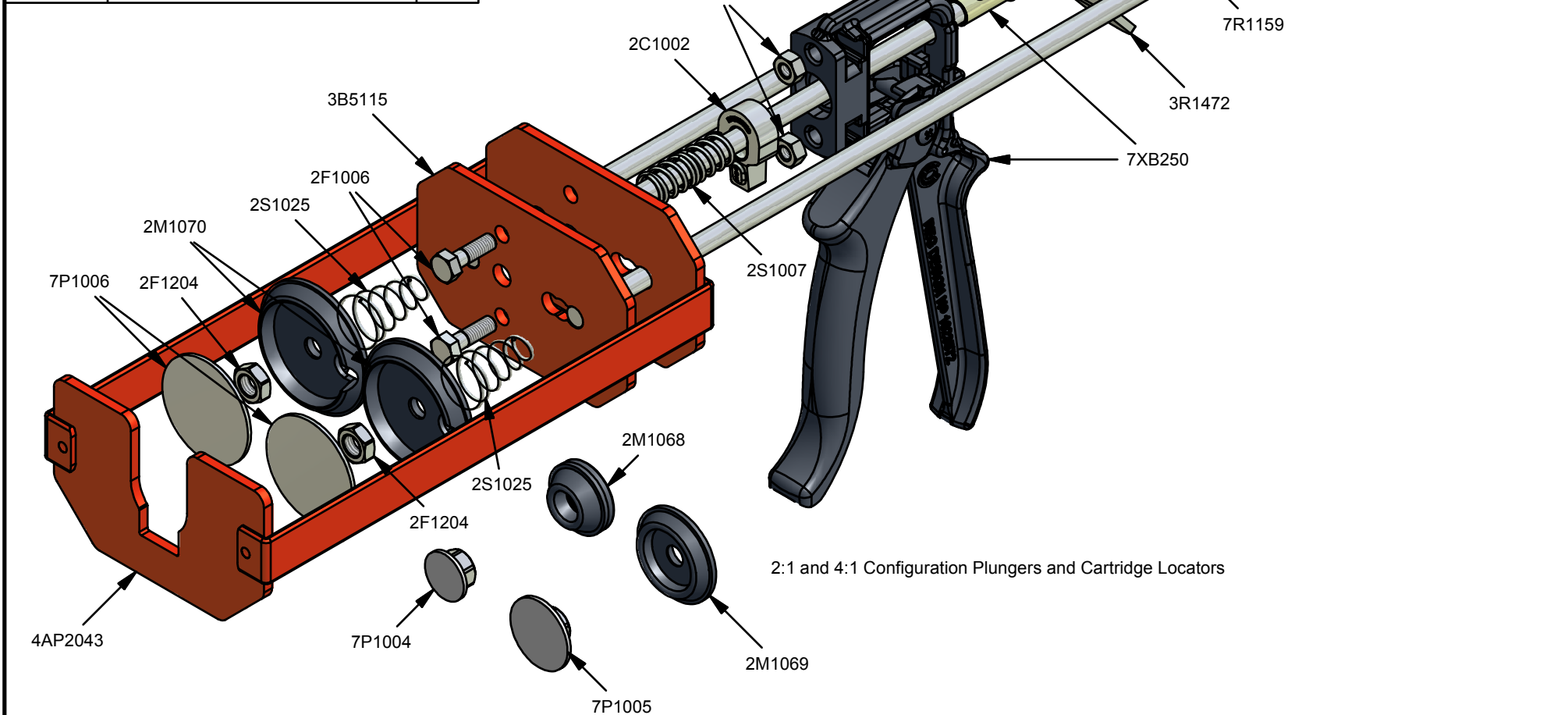


Parts List			Parts List		
STOCK No	DESCRIPTION	QTY	STOCK No	DESCRIPTION	QTY
2C1002	Mk5 Catch Plate	1	3Y1047	Yoke	2
2F1006	M6 x 20mm Hexagon Bolt	2	4AP2043	Frame Assembly (Red)	1
2F1204	M8 Lock Nut	8	7P1004	Plunger 19mm	1
2F1211	M6 Nut	2	7P1005	Plunger 28mm	1
2M1068	75ml Cartridge Support	1	7P1006	Plunger 42mm	2
2M1069	150ml Cartridge Support	1	7R1158	Plunger Rod 334mm	2
2M1070	300ml Cartridge Support	2	7R1159	Drive Rod 341mm	1
2M1085	Plastic Knob	1	7XB250	Mk7 Butt/Trigger/Pin/WCD Assembly	1
2S1007	Catch Plate Spring	1			
2S1021	Release Plate spring	1			
2S1025	Cartridge Locator Spring	2			
3B5115	Bulkhead Plate	1			
3R1472	Release Plate	1			

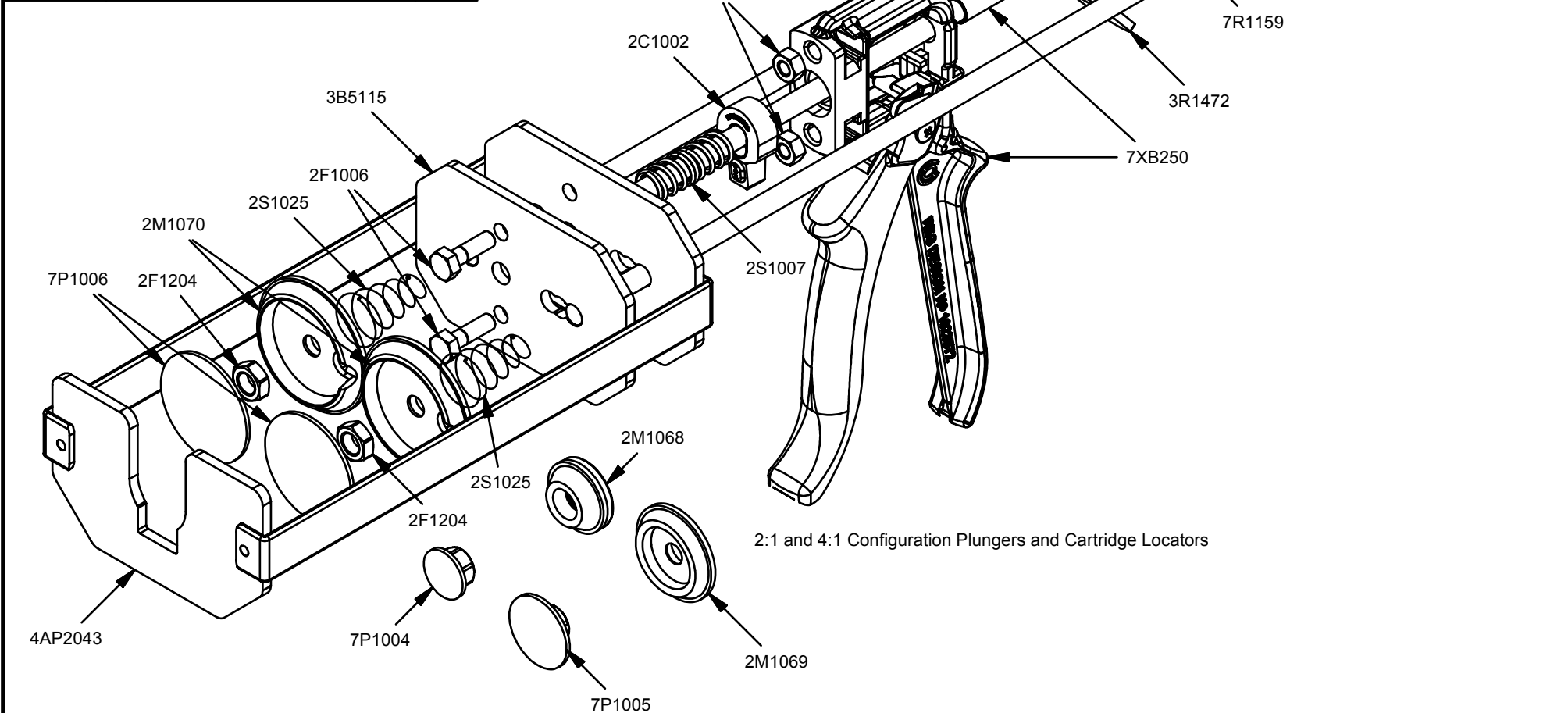


PPM 300



REV	DATE
D	14/08/2003

Parts List			Parts List		
STOCK No	DESCRIPTION	QTY	STOCK No	DESCRIPTION	QTY
2C1002	Mk5 Catch Plate	1	3Y1047	Yoke	2
2F1006	M6 x 20mm Hexagon Bolt	2	4AP2043	Frame Assembly (Red)	1
2F1204	M8 Lock Nut	8	7P1004	Plunger 19mm	1
2F1211	M6 Nut	2	7P1005	Plunger 28mm	1
2M1068	75ml Cartridge Support	1	7P1006	Plunger 42mm	2
2M1069	150ml Cartridge Support	1	7R1158	Plunger Rod 334mm	2
2M1070	300ml Cartridge Support	2	7R1159	Drive Rod 341mm	1
2M1085	Plastic Knob	1	7XB250	Mk7 Butt/Trigger/Pin/WCD Assembly	1
2S1007	Catch Plate Spring	1			
2S1021	Release Plate spring	1			
2S1025	Cartridge Locator Spring	2			
3B5115	Bulkhead Plate	1			
3R1472	Release Plate	1			



PPM 300



REV	DATE
D	14/08/2003