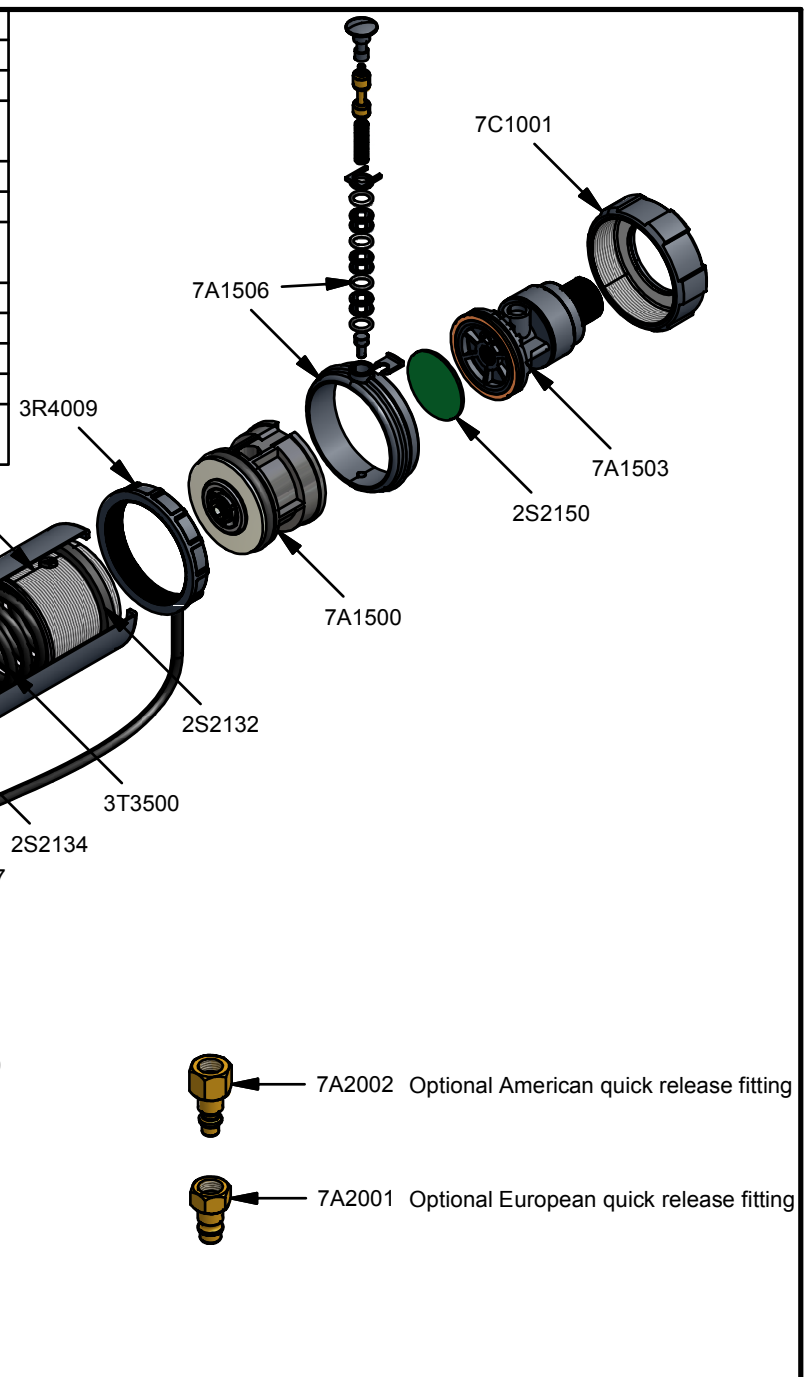


| Parts List | | | Parts List | | |
|------------|---------------------------------------|-----|------------|--|-----|
| STOCK No | DESCRIPTION | QTY | STOCK No | DESCRIPTION | QTY |
| 2F1004 | M6 x 25mm Hexagon bolt | 4 | 7A1500 | Dump Valve Body assembly | 1 |
| 2F1204 | M8 Lock Nut | 4 | 7A1503 | Regulator Assembly (including O ring and washer) | 1 |
| 2F1211 | M6 Nut | 4 | 7A1506 | Spool valve assembly | 1 |
| 2P1006 | Plunger Ally 31.50mm | 1 | 7A2000 | Standard Nut and Tail Connection | 1 |
| 2P1029 | Plunger Ally 19mm | 1 | 7A2001 | European Quick Release Fitting Assembly | 1 |
| 2P1031 | Plunger Ally 42mm | 1 | 7A2002 | US Quick Release Fitting Assembly | 1 |
| 2P1036 | Plunger Ally 15mm | 1 | 7B6050 | Rear Barrel 260mm | 1 |
| 2P1046 | Plunger Ally 36mm | 2 | 7C1001 | Air Gun Back Cap | 1 |
| 2S2012 | O Ring | 2 | 7R1179 | Plunger Rod 225mm | 2 |
| 2S2025 | O Ring | 1 | 7XS012 | Barrel Strap Assembly (inc screws and nuts) | 1 |
| 2S2037 | O Ring | 1 | | | |
| 2S2132 | Reducer Seal | 1 | | | |
| 2S2134 | U Type Seal | 1 | | | |
| 2S2150 | Dump Valve Diaphragm | 1 | | | |
| 3B5106 | Bulkhead Bung | 1 | | | |
| 3P1092 | Plunger Ally 60mm | 1 | | | |
| 3P1105 | Piston (including air return fitting) | 1 | | | |
| 3R4009 | Threaded Backing Ring | 1 | | | |
| 3R4010 | Reducer | 1 | | | |
| 3T3500 | Coiled Tube | 1 | | | |
| 4AP1341 | Frame Assembly | 1 | | | |
| 4B1200 | Air Gun Butt Assembly | 1 | | | |

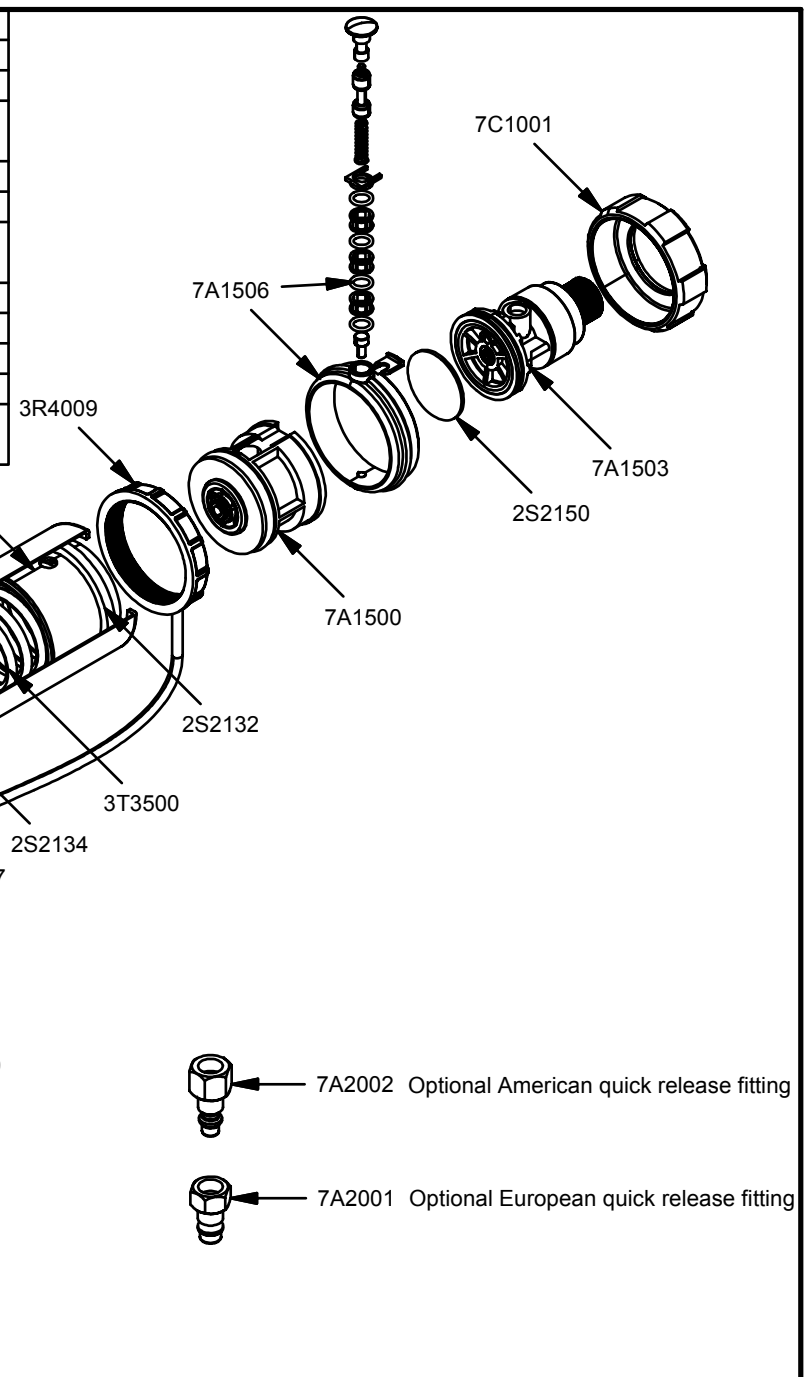


VBA 400 B MR 1



| REV | DATE |
|-----|------------|
| A | 17/10/2003 |

| Parts List | | | Parts List | | |
|------------|---------------------------------------|-----|------------|--|-----|
| STOCK No | DESCRIPTION | QTY | STOCK No | DESCRIPTION | QTY |
| 2F1004 | M6 x 25mm Hexagon bolt | 4 | 7A1500 | Dump Valve Body assembly | 1 |
| 2F1204 | M8 Lock Nut | 4 | 7A1503 | Regulator Assembly (including O ring and washer) | 1 |
| 2F1211 | M6 Nut | 4 | 7A1506 | Spool valve assembly | 1 |
| 2P1006 | Plunger Ally 31.50mm | 1 | 7A2000 | Standard Nut and Tail Connection | 1 |
| 2P1029 | Plunger Ally 19mm | 1 | 7A2001 | European Quick Release Fitting Assembly | 1 |
| 2P1031 | Plunger Ally 42mm | 1 | 7A2002 | US Quick Release Fitting Assembly | 1 |
| 2P1036 | Plunger Ally 15mm | 1 | 7B6050 | Rear Barrel 260mm | 1 |
| 2P1046 | Plunger Ally 36mm | 2 | 7C1001 | Air Gun Back Cap | 1 |
| 2S2012 | O Ring | 2 | 7R1179 | Plunger Rod 225mm | 2 |
| 2S2025 | O Ring | 1 | 7XS012 | Barrel Strap Assembly (inc screws and nuts) | 1 |
| 2S2037 | O Ring | 1 | | | |
| 2S2132 | Reducer Seal | 1 | | | |
| 2S2134 | U Type Seal | 1 | | | |
| 2S2150 | Dump Valve Diaphragm | 1 | | | |
| 3B5106 | Bulkhead Bung | 1 | | | |
| 3P1092 | Plunger Ally 60mm | 1 | | | |
| 3P1105 | Piston (including air return fitting) | 1 | | | |
| 3R4009 | Threaded Backing Ring | 1 | | | |
| 3R4010 | Reducer | 1 | | | |
| 3T3500 | Coiled Tube | 1 | | | |
| 4AP1341 | Frame Assembly | 1 | | | |
| 4B1200 | Air Gun Butt Assembly | 1 | | | |



VBA 400 B MR 1



| REV | DATE |
|-----|------------|
| A | 17/10/2003 |